

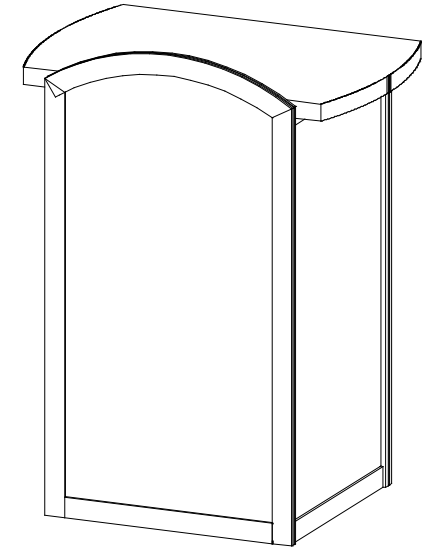
Item	Qty.	Description
1	1	38" Z45 Vertical Extrusion w/ S10
2	1	38" Z45 Vertical Extrusion w/ S10
3	1	38" S40 Vertical Extrusion w/ Door Stop
4	1	38" S40 Vertical Extrusion w/ Door Hinges
5	2	18" Z45 Horizontal Extrusion
6	2	18" Z45 Horizontal Extrusion
7	1	18.917" Z45 Horizontal Extrusion
8	1	20" Z45 Horizontal Extrusion
9	1	22.5" Z45 Curved Extrusion
10	1	18" Z45 Horizontal Extrusion
11	1	18" Z45 Horizontal Extrusion
12	1	20" Z45 Horizontal Extrusion

Steps:

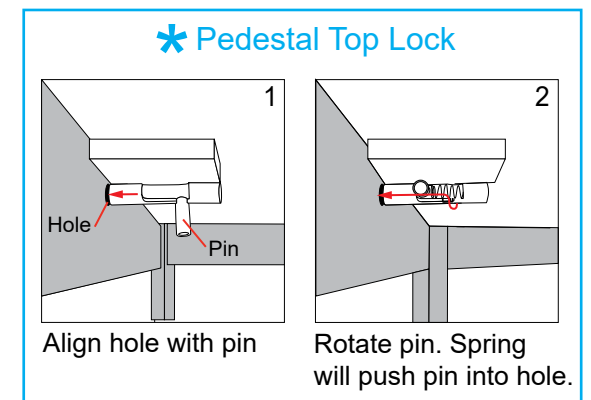
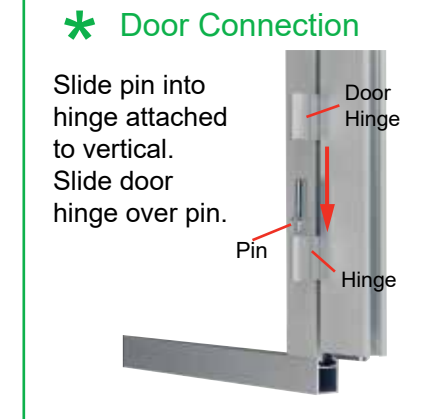
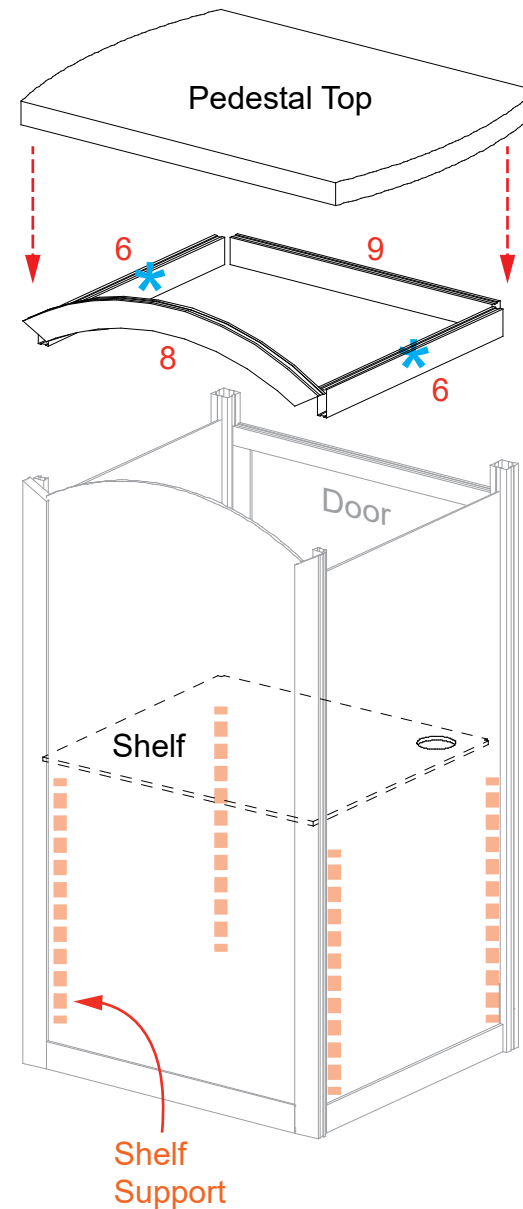
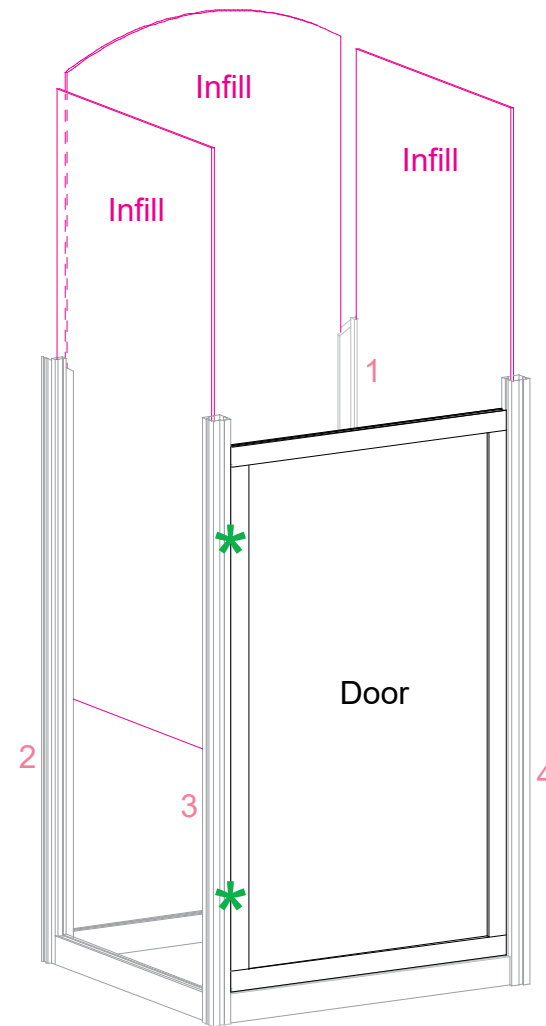
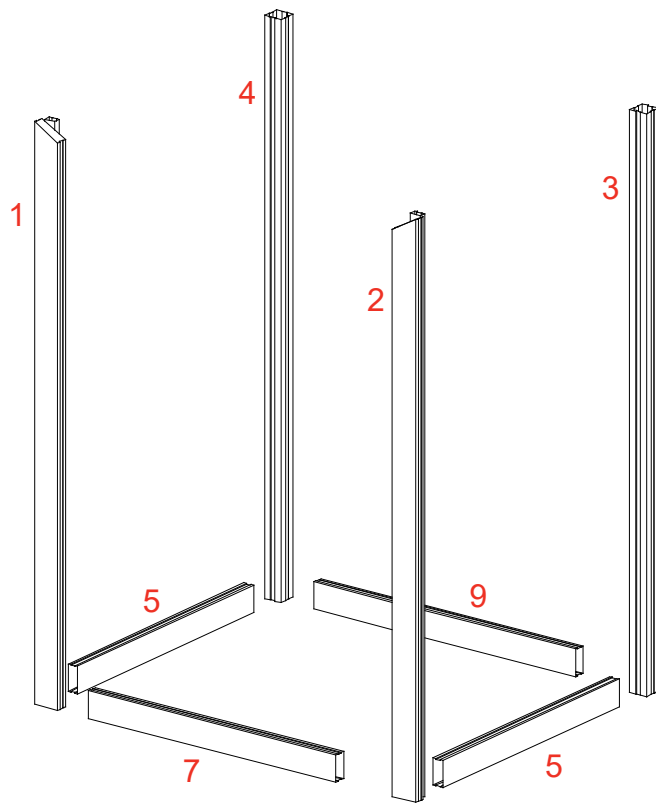
- 1) Attach lower horizontals [5,7,9] between verticals [1,2,3,4].
- 2) Connect door between verticals [3,4]. See **Door Connection** detail.
- 3) Insert infills between verticals [1,2], [1,3], and [1,4].
- 4) Attach upper horizontals [6,8,9] between verticals [1,2,3,4].
- 5) Connect shelf supports to Velcro on infills, then place shelf on top of supports.
- 6) Lock pedestal top to horizontals [6]. See **Pedestal Top Lock** detail.

Keep door assembled when packing.

Keep extrusions [1/2/7/8] assembled when packing.



Completed Assembly



General Setup Instructions

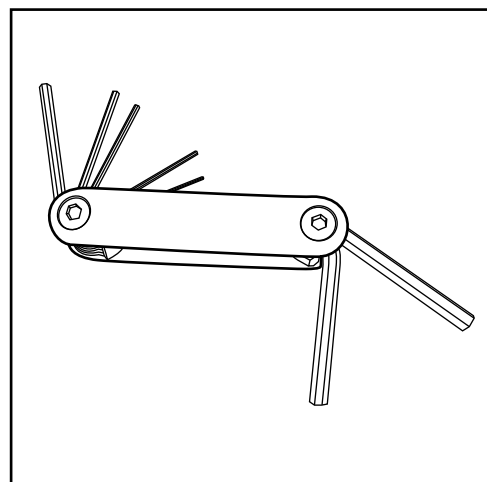
- Read entire setup instruction manual prior to unpacking parts and pieces.
- The setup instructions are created specifically for this configuration.
- Setup instructions are laid out sequentially in steps, including exploded views with detailed explanation for assembly.

Cleaning & Packing

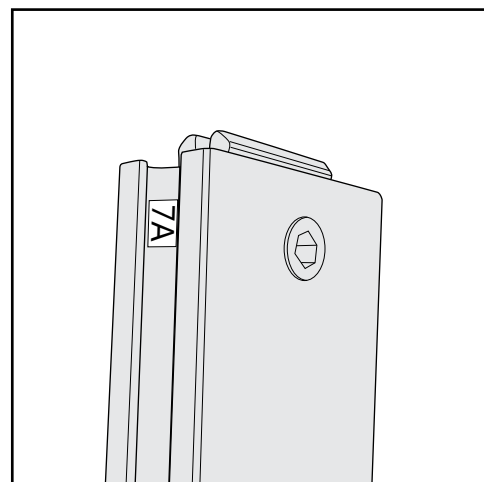
- For Cleaning Metal, Plex, & Laminate Parts: Use a **MILD NON-ABRASIVE** cleanser and soft cloth/paper towel to clean all surfaces.
- Keep exhibit components away from heat and prolonged sun exposure. **Heat and UV exposure will warp and fade components.**
- Retain all provided Packing Materials. All provided packing materials are for ease of repacking & component protection.

Disassembly

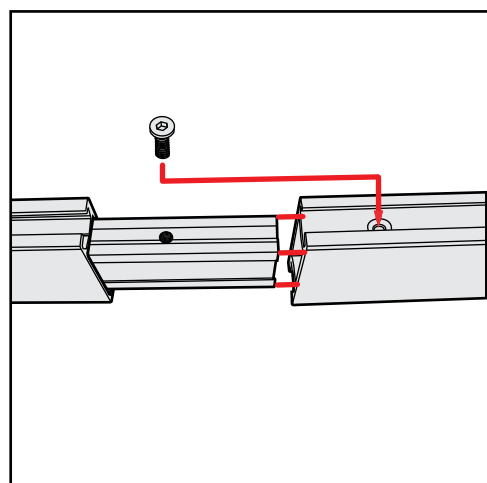
- For loss prevention, tighten all set screws and locks during disassembly.



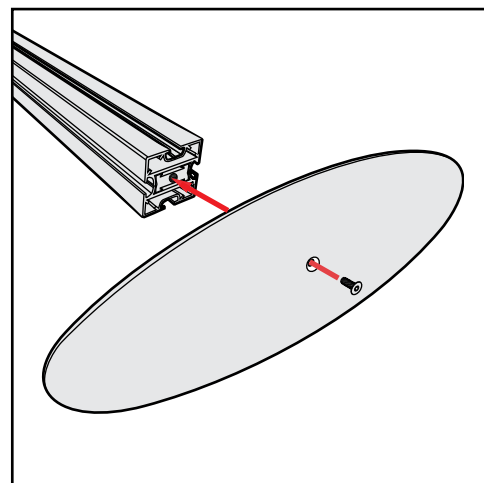
Hex Tool - Essential for Assembly



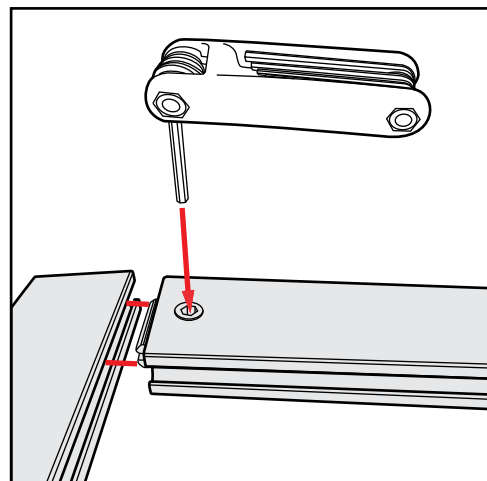
Part Identification - Numbering



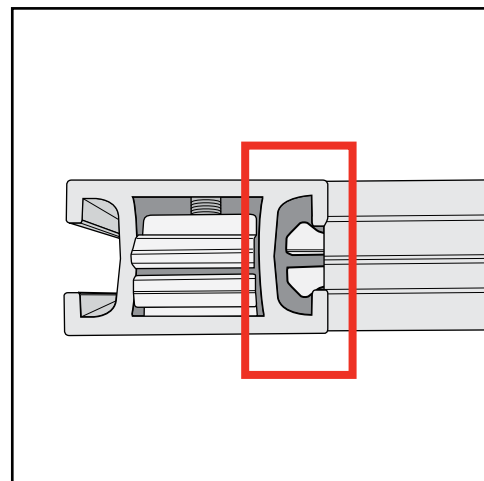
Spline Connection



Base Plate & Extrusion Connection



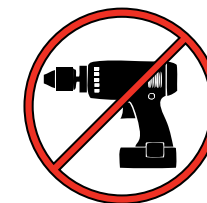
Extrusion & Lock Connection



Engaged Lock



WARNING



DO NOT USE POWER TOOLS

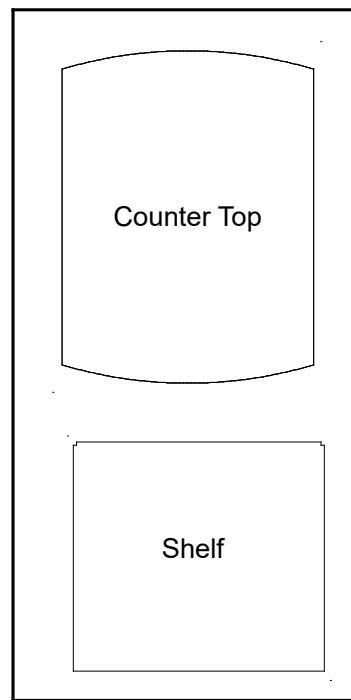


LADDERS OR LIFTS
MAY BE REQUIRED

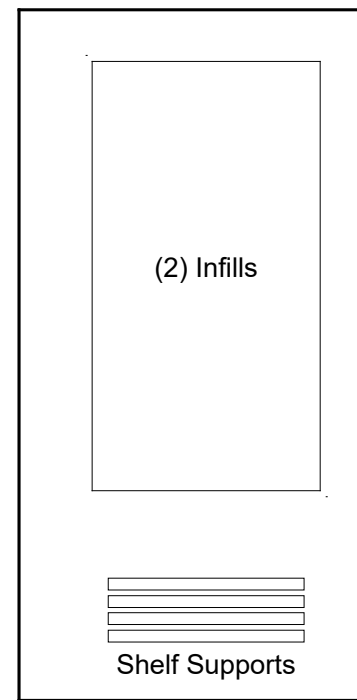


ALL CONNECTIONS MUST
BE TIGHTLY SECURED

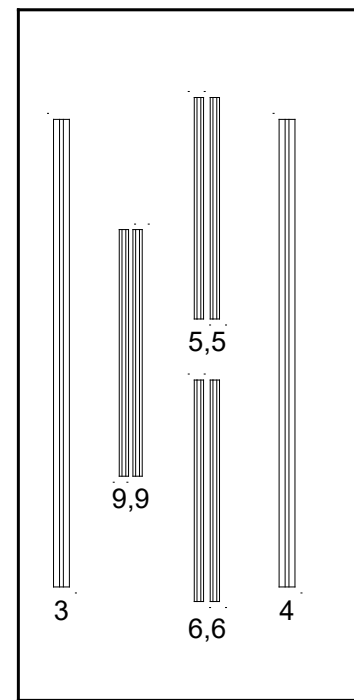
Top View of Each Level



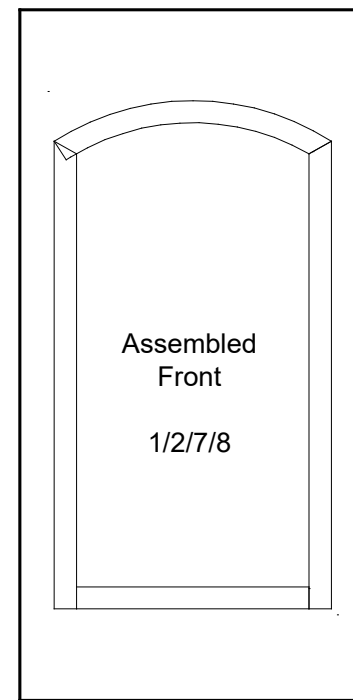
Level 1
(Bottom level)



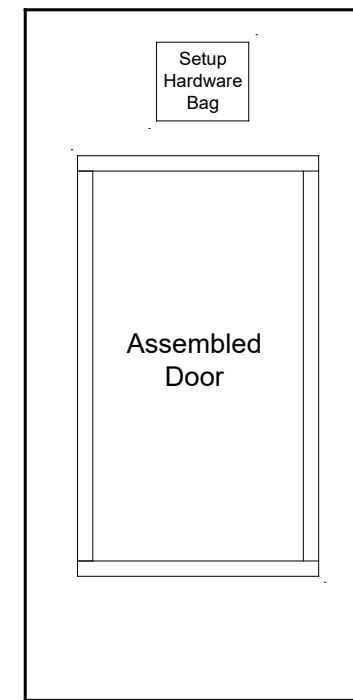
Level 2



Level 3



Level 4



Level 5